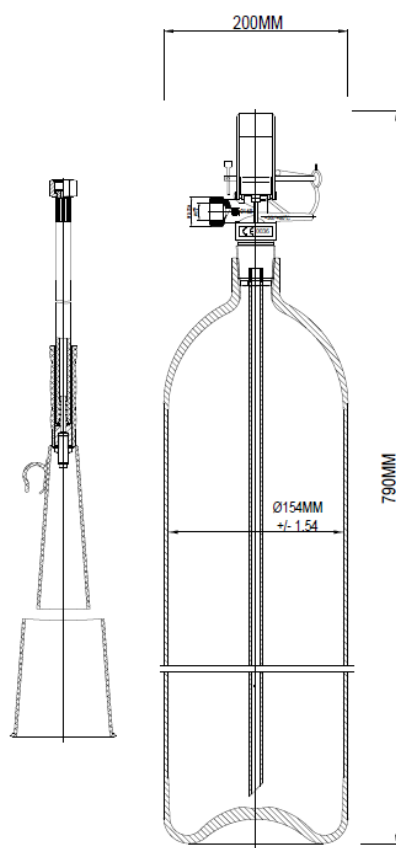




The 6.8KG Carbon dioxide extinguisher is suitable for construction sites, heavy industries, large vehicles, and areas requiring a higher coverage against incipient fires.

Backed with a local manufacturing guarantee of 5 years against factory defects.

Technical Data	
Model	A1-C6.8
Capacity	6.8 KG
Extinguishing Agent	Carbon Dioxide
Fire Rating	70B
Working Pressure	55 Bar
Testing Pressure	250 Bar
Operating Temp	-30°C to +60°C
Propellant	Carbon Dioxide
Standards	SS EN3-7, SS EN3-9
Mounting	Wall bracket included
Dimension	154 x 200 x 790
Weight	19.4 KG



## Suitable Fire Classes



**Class B Flammable and Combustible Liquids**

E.g. Oil, Gasoline, Grease, Paint

## Download Approvals & Datasheets

