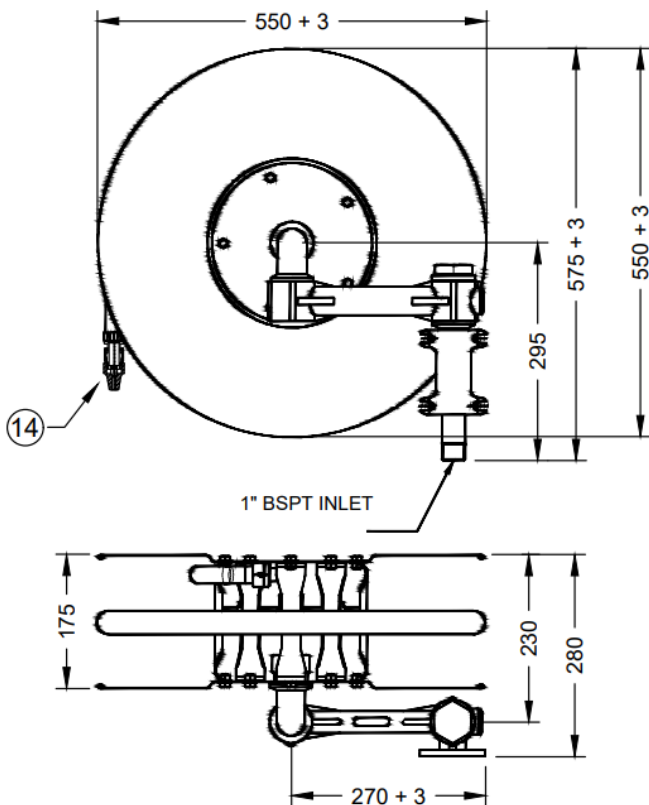


Double 180° Swivel joints to allow withdrawal of hose in any direction

Complete with semi rigid hose, hose clip, brass jet nozzle, manual inlet stop valve and nozzle holder



Technical Data	
Model	A1-HR-01
Type	Manual Swing
Hose	25MM x 30M, EN 694
Nozzle	Brass, 6MM Jet Stream
Inlet valve	25MM Brass
Working Pressure	12 Bar
Standards	EN 671-1: 2012
Mounting	Nozzle holder included
Dimension	575 x 550 x 280



## Suitable Fire Classes



**Class A Ordinary Combustibles**  
E.g. Wood, Paper, Cloth, Rubber, Plastics

## Download Approvals & Datasheets

